

# MA7200

NEMA 4/12 VFD WASHDOWN DUTY



**TECO**  **Westinghouse**



## ***Versatile and Durable***

---

### ***MA7200 NEMA 4/12 Features & Benefits***

- **Sensorless Vector Control** specifically designed to meet NEMA 4 standards, providing the ultimate protection from harsh environments.
- **Industry applications** include; bottling, chemical processing, food processing, waste-water, pumping, refrigeration, and more. MA7200 NEMA 4/12 resists the effects of high pressure water, dust, dirt, and chemicals found in these industries.
- **Ratings available** from 1 - 20 HP, 230V and 460V.
- **Easy to use input;** Front Cover Keypad or Front Cover Potentiometer.
- **Your choice of Covers;** Optional Blank Cover or Keypad Only Cover.
- **Conveniently stocked** at four TECO-Westinghouse warehouse.

### ***MA7200 Standard Performance Features***

---

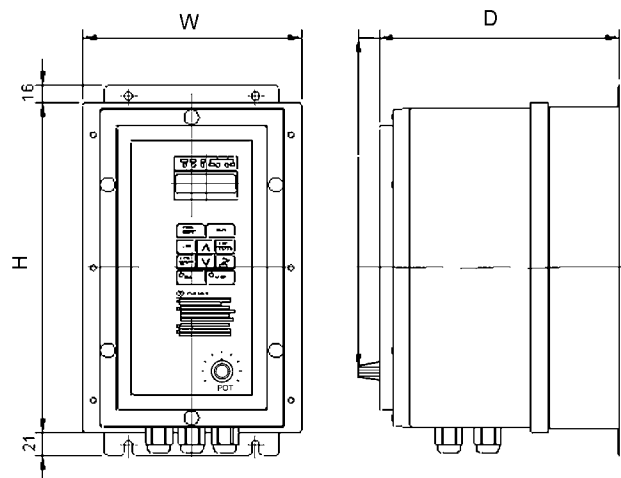
- **Sensorless Vector Control** for precise speed control and high starting torque. Additional control modes include V/Hz and PG Feedback for a broad range of applications.
- **English Language, LCD Operator** – 2 line by 20 characters, lighted LCD display makes programming easy and straight forward.
- **Flexible Input/Output Options**
  - Sink or Source Selectable Digital Inputs
    - 4 Preset
    - 4 User Programmable
    - 16 Preset Speeds,
    - 2 Analog Inputs,
    - 2 Analog Outputs
  - 3 Multi-Function Output Contacts
    - 1 Form C Relay,
    - 1 Form A Relay,
    - 1 Open collector Output
- **Built In PID Control** - Scalable PID feedback for accurate system regulation.
- **User Selectable** V/F curves + S Curve
- **VPG Interface Built-in** – speed control accuracy of 0.1%
- **Communications** - Modbus RTU Standard, other protocols available upon request.
- **UL and CE approved.**

## 230V 3-Phase

MODEL NO.	HP CONSTANT TORQUE	DRIVE AMPS CONSTANT TORQUE	DIMENSIONS (Inches)			APPROX. WT. (lbs.)
			HEIGHT	WIDTH	DEPTH	
MA7200-2001-N4	1	4.8	13.19	7.80	8.54	17
MA7200-2002-N4	2	6.4	13.19	7.80	8.54	17
MA7200-2003-N4	3	9.6	13.19	7.80	8.54	17
MA7200-2005-N4	5	17.5	13.19	7.80	8.54	17
MA7200-2007-N4	7.5	24.0	18.11	8.78	9.65	36
MA7200-2010-N4	10	32.0	18.11	8.78	9.65	36
MA7200-2015-N4	15	48.0	18.11	8.78	9.65	36
MA7200-2020-N4	20	64.0	18.11	8.78	9.65	36

## 460V 3-Phase

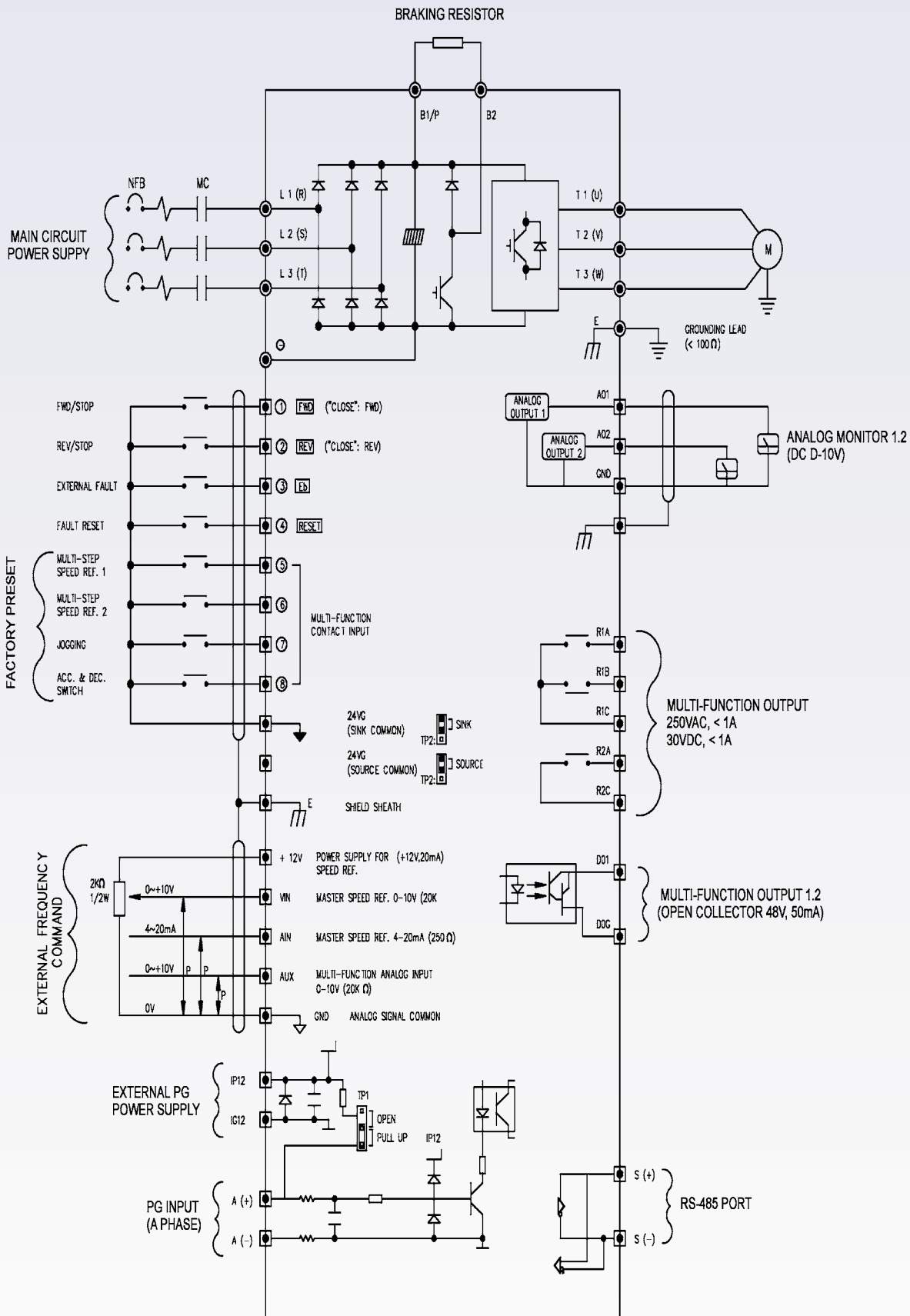
MODEL NO.	HP CONSTANT TORQUE	DRIVE AMPS CONSTANT TORQUE	DIMENSIONS (Inches)			APPROX. WT. (lbs.)
			HEIGHT	WIDTH	DEPTH	
MA7200-4001-N4	1	2.6	13.19	7.80	8.54	17
MA7200-4002-N4	2	4.0	13.19	7.80	8.54	17
MA7200-4003-N4	3	4.8	13.19	7.80	8.54	17
MA7200-4005-N4	5	8.7	13.19	7.80	8.54	17
MA7200-4007-N4	7.5	12.0	18.11	8.78	9.65	36
MA7200-4010-N4	10	15.0	18.11	8.78	9.65	36
MA7200-4015-N4	15	24.0	18.11	8.78	9.65	36
MA7200-4020-N4	20	32.0	18.11	8.78	9.65	36



**MA7200  
NEMA 4/12**

Typical Drawing

# Standard Connection Diagram



# The MA7200 NEMA 4/12 Can Handle Any Process or Manufacturing Environment.

- Washdown Duty; NEMA 4 and NEMA 12 Rated
- Resists high pressure water, dust, dirt, chemicals and more.





5100 N. IH-35  
Round Rock, Texas 78681  
1-800-279-4007

[www.tecowestinghouse.com](http://www.tecowestinghouse.com)