

D Inverter Dimension

Models	IP 20 Enclosure (mm)				
	W	H	D	W1	H1
R500AC/BC 0001AC/BC 0002BC 0002AC 0003AC/BC 0005BC	90	163	147	78	150
7R50BC 0010BC 0015BC }	128	187	148	114.6	170.5
0025BC 0030BC }	186	260	195	173	244
0040BC 0001BE 0002BE 0003BE 0005BE 7R50BE 0010BE 0015BE 0020BE }	265	360	225	245	340
0030BE 0040BE }	269	652	277	210	530
0050BE 0060BE }	90	163	147	78	150
0075BE	128	187	148	114.6	170.5
	186	260	195	173	244
	265	360	225	245	340
	269	652	277	210	530
	308	770	282	250	630

*IP00 Enclosure for 200V 30~40HP, 400V 40~75HP

B Braking Resistor

Resistor Model	Inverter Capacity	Specification of brake resistor		Brake resistor ED%	Brake torque %
		W	Ω		
201	R500AC/BC	60	200	8	214
201	0001AC/BC	60	200	8	117
202	0002AC/BC	150	100	10	117
203	0003AC/BC	200	70	9	112
205	0005BC	300	40	8	117
208	7R50BC	500	25	8	123
210	0010BC	600	20	8	117
401	0001BE	60	750	8	123
402	0002BE	150	400	10	117
403	0003BE	200	250	8	123
405	0005BE	300	150	8	123
408	7R50BE	500	100	8	123
410	0010BE	600	80	8	117
JNTLKEB-1500W	0015BE	1500	40	8	149
2R4KW17	0015BC	2400	17	10	100
3KW13	0020BC	3000	13	10	100
4R8KW8	0025BC	4800	8	10	125
4R8KW6R8	0030BC	4800	6.8	10	125
3KW10	0040BC	3000	10	10	100
1R6KW50	0020BE	1600	50	10	100
4R8KW32	0025BE	4800	32	10	125
4R8KW27R2	0030BE	4800	27.2	10	125
6KW20	0040BE	6000	20	10	125
9R6KW16	0050BE	9600	16	10	125
9R6KW13R6	0060BE	9600	13.6	10	125
6KW20	0075BE	6000	20	10	125

F Filter

Model	Rated	Inverter Model / EN61800-3	
		Second Environment	First Environment
		FS6146 - 11 - 07	1Ø170 - 264V / 11A
FS6146 - 27 - 07	1Ø170 - 264V / 27A	0002 / 0003 - AC - U	JNTHBCBA - 0002 / 0003 - AC - UF
FS6147 - 8.9 - 07	3Ø170 - 264V / 8.9A	R500 / 0001 / 0002 - BC - U	NA
FS6147 - 19 - 07	3Ø170 - 264V / 19A	0003 / 0005 - BC - U	NA
FS6147 - 39 - 07	3Ø170 - 264V / 39A	7R50 / 0010 - BC - U	NA
FS6149 - 4.6 - 07	3Ø323 - 528V / 4.6A	0001 / 0002 - BE - U	0001 / 0002 - BE - UF
FS6149 - 10 - 07	3Ø323 - 528V / 10A	0003 / 0005 - BE - U	0003 / 0005 - BE - UF
FS6149 - 28 - 07	3Ø323 - 528V / 28A	7R50 / 0010 / 0015 - BE - U	7R50 / 0010 / 0015 - BE - UF
JUNF34048S-MA	3Ø323 - 528V / 48A	0020-BE-U	NA
KMF370A	3Ø323 - 528V / 70A	00250030-BE-U	NA
KMF3100A	3Ø323 - 528V / 100A	0040/0050-BE-U	NA
KMF3150A	3Ø323 - 528V / 150A	0060-BE-U	NA
KMF3180A	3Ø323 - 528V / 180A	0075-BE-U	NA

C Extension Cable

Extension Cable Models	Digital Operator Models	Inverter Models
JNSW30P5 (0.5M)		
JNSW3001 (1M)	JNSDOP - LED	JNTHBCBA - R500 - 0010AC / BC
JNSW3002 (2M)	JNSDOP - LCD	0001 - 0015BE
JNSW3003 (3M)		
JNSW3005 (5M)		

Option Card

- JNSIF - 232 (RS-232)
- JNSIF - 485 (RS-485)
- JNSIF - MP(Memory pack)

JNSIF-MP

JNSIF-485

Extension Cable

JNSIF-232

TECO TECO ELECTRIC & MACHINERY CO., LTD.

49, WU KUNG 6 RD., WU KU INDUSTRIAL DISTRICT, TAIPEI HSIANG, TAIWAN T 886-2-89901111 F 886-2-22900465 <http://www.teco.com.tw>

GJ-25-00 2004-05-15

TECO INVERTER

7300 CV

TECO

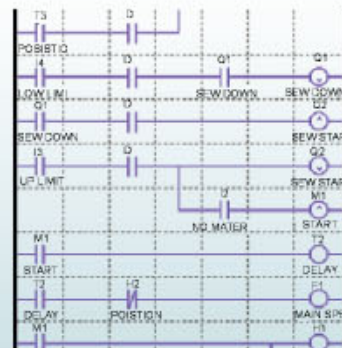


TECO INVERTER 7300 CV

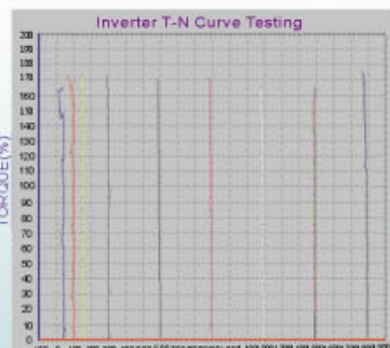


Feature

- Sensorless Vector Control
- 150% Starting Torque
- Built-in PLC Function
- LED/LCD Keypad Display
- NPN/PNP Digital Input
- PID Function
- Braking Transistor built-in or optional Braking Unit.
- Copy Unit (Memory pack) Function
- PC (Windows)/ PDA (WinCE) Link Function
- RS-485 Modbus RTU/ASCII mode
- Field Bus Communication Modules (Option)
 - PROFIBUS
 - DeviceNet
- EMC Filter Built-in(Class A)
- Global Standards: UL , cUL , CE



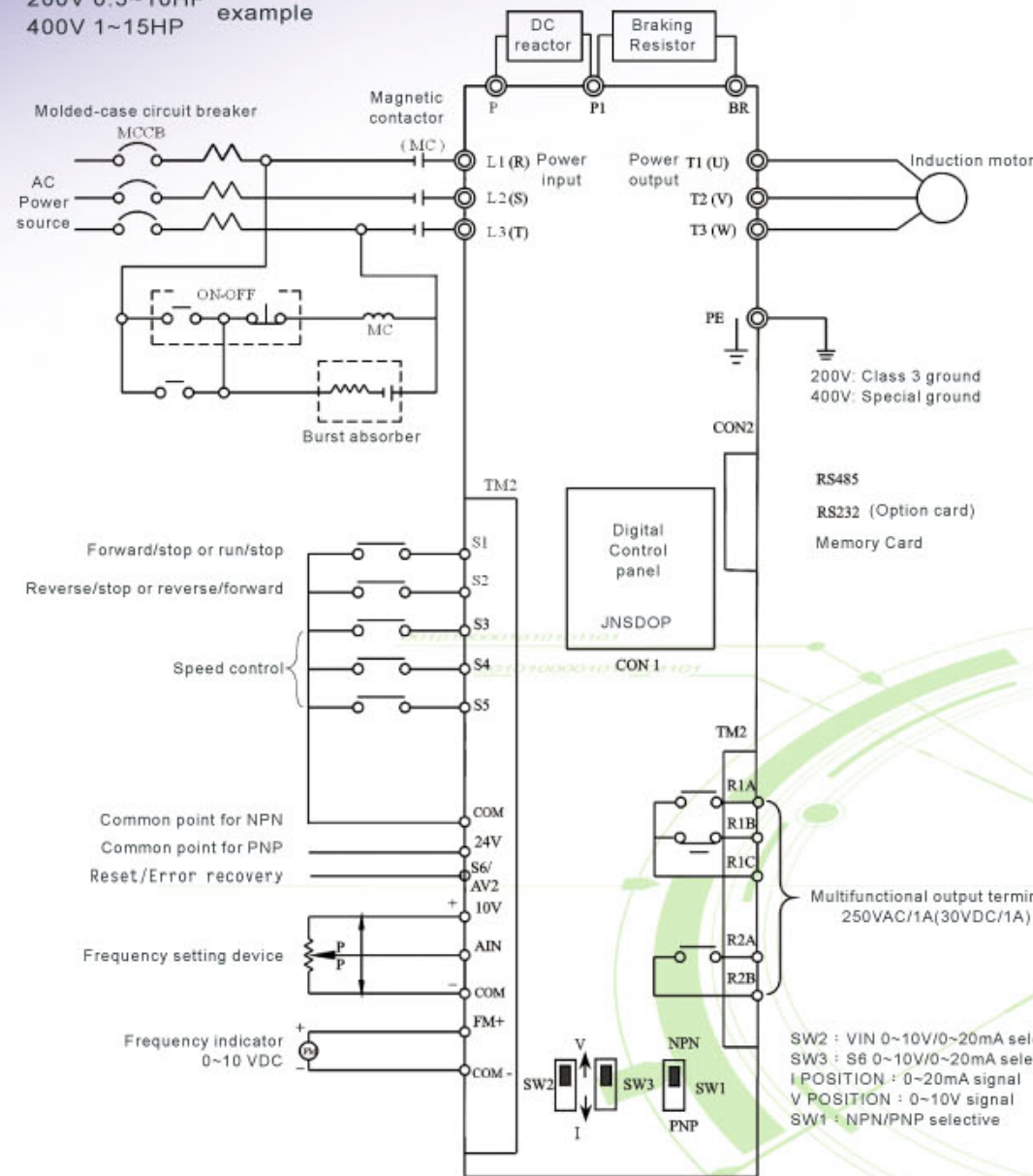
PLC Ladder Program



Inverter T-N Curve Testing

7300CV Wiring Diagram

200V 0.5~10HP example
400V 1~15HP



Model Number

Series	JNTH	BC	BA	0001	AC	U	F
Keypad Panel		LED*					
Enclosure			Open				
Max. applicable motor output(HP)				R500 : 0.5 HP : 1 0 0 7 5 : 7 5 H P	AC: Single phase 220V BC: Three phase 220V BE: Three phase 440V	UL Approval U: Yes	Noise Filter Blank: None F: Built-in

*BC:LED (Standard)
BG:LCD/BL:Blind (Production by order)

7300CV Specifications

Model	Single phase, 200~240V model				Three phases, 200~240V model											
	JNTHBCBA	BC	BA	0001	R500	0001	0002	0003	0005	7R50	0010	0015	0020	0025	0030	0040
Horsepower (HP)	0.5	1	2	3	0.5	1	2	3	5	7.5	10	15	20	25	30	40
Suitable Motor Capacity (KW)	0.4	0.75	1.5	2.2	0.4	0.75	1.5	2.2	3.7	5.5	7.5	11	15	18.5	22	30
Rated Output Current (A)	3.1	4.5	7.5	10.5	3.1	4.5	7.5	10.5	17.5	26	35	48	64	80	96	130
Rated Capacity (KVA)	1.2	1.7	2.9	4.0	1.2	1.7	2.9	4.0	6.7	9.9	13.3	20.6	27.4	34	41	54
Max. Input Voltage	Single Phase: 200~240V +10% -15% · 50/60Hz ± 5%				Three Phases: 200~240V +10% -15% · 50/60Hz ± 5%											
Max. Output Voltage	Three phases: 200~240V															
Input Current (A)	8.5	12	19	27	4.5	6.5	11	15.4	20	29	40					
Net Weight / with Filter (KG)	1.2/1.3	1.2/1.3	1.5/1.8	1.9/2.3	1.2	1.2	1.2	1.75	1.9	5.6	5.6	12	12	13	31	32
Allowable momentary power loss time (second)	1.0	1.0	2.0	2.0	1.0	1.0	2.0	2.0	2.0	2.0	2.0					

Model	Three phases, 380~480V model													
	JNTHBCBA	BC	BA	0001	0005	7R50	0010	0015	0020	0025	0030	0040		
Horsepower (HP)	1	2	3	5	7.5	10	15	20	25	30	40	50	60	75
Suitable Motor Capacity (KW)	0.75	1.5	2.2	3.7	5.5	7.5	11	15	18.5	22	30	37	45	55
Rated Output Current (A)	2.3	3.8	5.2	8.8	13.0	17.5	25	32	40	48	64	80	96	128
Rated Capacity (KVA)	1.7	2.9	4.0	6.7	9.9	13.3	19.1	27.4	34	41	54	68	82	110
Max. Input Voltage	Three phases: 380~480V +10% -15% · 50/60Hz ± 5%													
Max. Output Voltage	Three phases: 380~480V													
Input Current (A)	4.2	5.6	6.0	10.2	15	20.5	30.2							
Net Weight / with Filter (KG)	1.2/1.3	1.2/1.3	1.8/2.2	1.8/2.2	5.6/6.6	5.6/6.6	5.6/6.6	12	13	13	31	31	47	47
Allowable momentary power loss time (second)	1.0	1.0	2.0	2.0	2.0	2.0	2.0							

ITEM	7300CV TYPE
Control mode	V/F or Sensorless Vector Control
Range	0.1~650 Hz
Start control torque	150% / 1Hz (Vector mode)
Speed control range	1:50 (Vector mode)
Speed control precision	±0.5% (Vector mode)
Setting resolution	Digital: 0.01Hz (Note *1); Analog: 0.06Hz/60Hz (10bits)
Keypad setting	Set directly with ▲▼ key or the VR on the keypad
Display function	Four digital LED (or 2x16 LCD) and status indicator; display frequency/ speed/ line speed/ DC voltage/ Output voltage/ Current/ Rotation direction/ Inverter parameter/ Trouble Log/ Program Version
External signal setting	1. External variable resistor / 0-5V / 0-10V / 4-20mA / 5-0V / 10-0V / 20-4mA 2. Performs up/down controls, speed control or automatic procedure control with multifunctional contacts on the terminal block (TM2)
Frequency limit function	Respectively setting upper/lower frequency limits and three-stage prohibited frequencies
Carrier frequency	2~16kHz
V/F pattern	18 fixable patterns, 1 programmable pattern
Acc/Dec control	Two-stage Acc/Dec time (0.1~3,600 seconds) and two-stage S curve
Multifunctional analog output	6 functions (refer to description on 8-00/8-01)
Multifunctional input	30 functions (refer to description on 5-00/5-06)
Multifunctional output	16 functions (refer to description on 8-02/8-03)
Digital input signal	NPN/PNP toggle
Other function	Momentary Power Loss Restart, Speed Search, Overload Detection, 8 Preset Speeds, Acc/Dec Switch (2 Stages), S Curve, 3-wire Control, PID Control, Torque Boost, Slip Compensation, Frequency Upper/ Lower Limit, Auto Energy Saving, Modbus Slave and PC/PDA Link, Auto Restart, Built-in PLC Function.
Communication control	1. Control by RS232 or RS485 2. One-to-one or One-to-many (RS485 ONLY) control. 3. BAUD RATE/STOP BIT/PARITY/bit can be set
Braking torque	About 20%, the model built-in braking transistor and connected braking resistor is 100%
Operation temperature	-10~50°C (note *2)
Storage temperature	-20~60°C
Humidity	0~95% Relative Humidity (Non-condense)
Vibration	1G (9.8m/s ²)
EMC	Comply with requirement EN 61800-3 with optional filter
LVD	Comply with requirement EN 50178
Enclosure	IP 20 (Nema 1 by external box attached)
Safety level	UL 508C
Overload protection	The relays to protect the motor (the curve can be set) and the inverter(150% / 1min)
FUSE protection	The motor stops after FUSE melt
Over voltage	200V class: DC Voltage > 410V 400V class: DC Voltage > 820V
Under voltage	200V class: DC Voltage < 190V 400V class: DC Voltage < 380V
Momentary power loss terminal	Stop for more than 15ms-power-loss can be restarted with Speed Search after momentary power loss in Max. 2 sec
Stall prevention	Stall prevention for Acceleration / Deceleration / Operation
Short-circuit output terminal	Electronic Circuit Protection
Grounding fault	Electronic Circuit Protection
Other funtion	Protection for overheating of heat sink, over torque detection, error contact control, reverse restriction, restrictions for direct start after power up and error recovery, parameter lock up.

Note 1: The setting resolution of above 100Hz is 0.1Hz when controlled with operation keypad, and 0.01 Hz when controlled using computer (PC) or programmable controller (PLC).
Note 2: -10~50°C in distributor (without dustproof cover / paster), -10°C~40°C outside distributor (with dustproof cover / paster).

